

## Product specifications

# CS10-095

Catalogue Number: CS10-095  
ZERO SEQUENCE CURRENT SENSOR

## General specifications

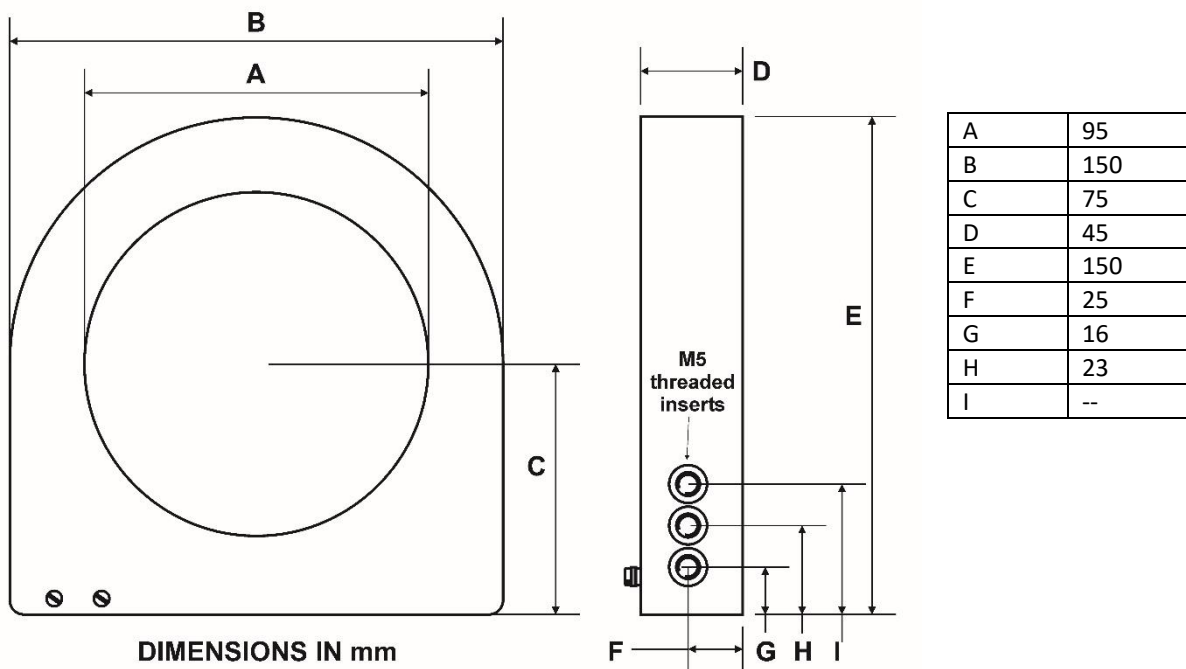
Product Name  
GFS current sensor

To be used with all relevant protection devices produced by GFS  
Including brand labelled products

1000:1 ratio

Catalogue Number  
CS10-095

Product Weight  
(without packaging)  
1500 g



Ground Fault Systems B.V.  
Rijtersbleek-Aalten 4 B15  
7521 RB Enschede  
The Netherlands



Phone: +31 53 4318 628  
Email: [sales@groundfaultsystems.com](mailto:sales@groundfaultsystems.com)  
Chamber of Commerce 08091149  
<http://www.groundfaultsystems.com>