

Product specifications

CS100-2028

Catalogue Number: CS100-2028
ZERO SEQUENCE CURRENT SENSOR

General specifications

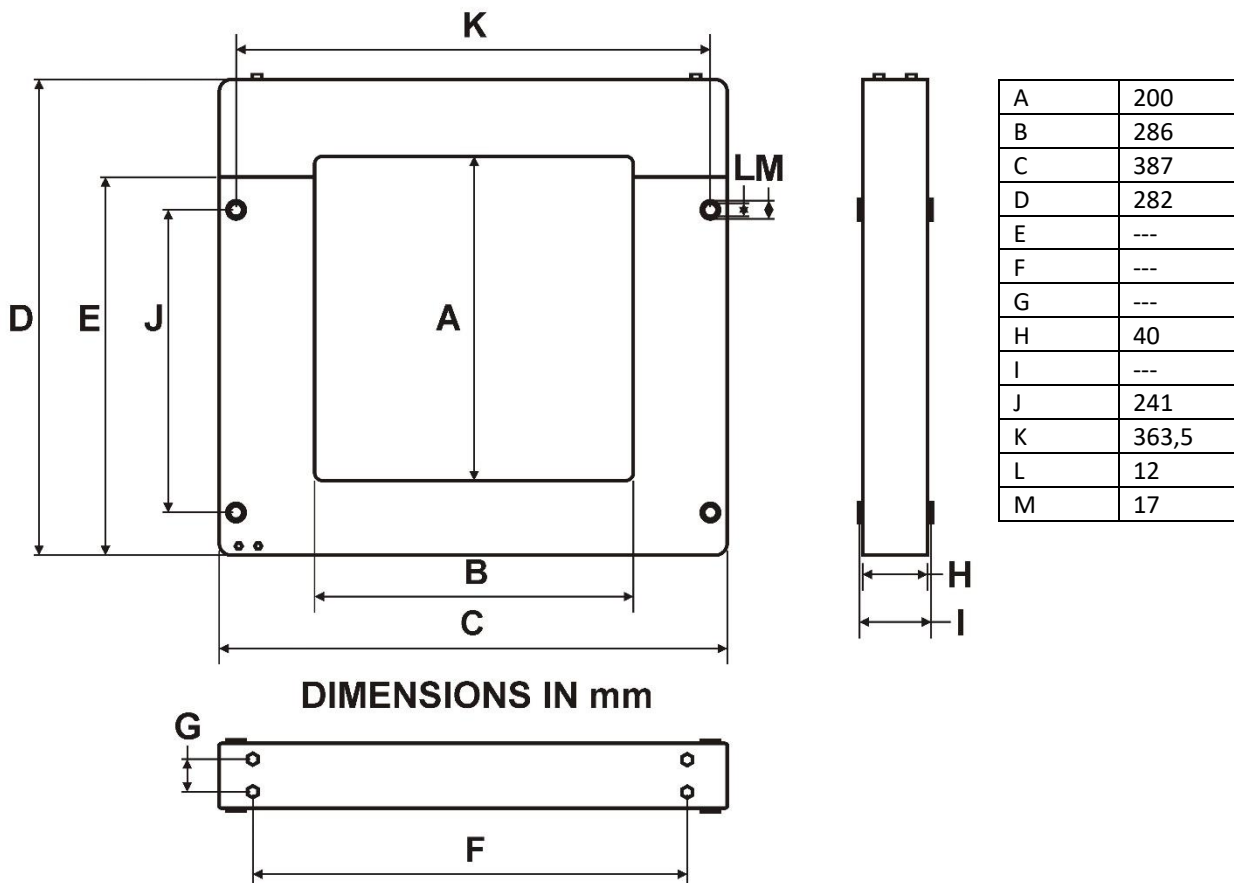
Product Name
GFS current sensor

To be used with all relevant protection devices produced by GFS
Including brand labelled products

10.000:1 ratio

Catalogue Number
CS100-2028

Product Weight
(without packaging)
15000 g



Ground Fault Systems B.V.
Rijtersbleek-Aalten 4 B15
7521 RB Enschede
The Netherlands

GFS

Phone: +31 53 4318 628
Email: sales@groundfaultsystems.com
Chamber of Commerce 08091149
<http://www.groundfaultsystems.com>