

## Product specifications

# CS5-150

Catalogue Number: CS5-150  
ZERO SEQUENCE CURRENT SENSOR

### General specifications

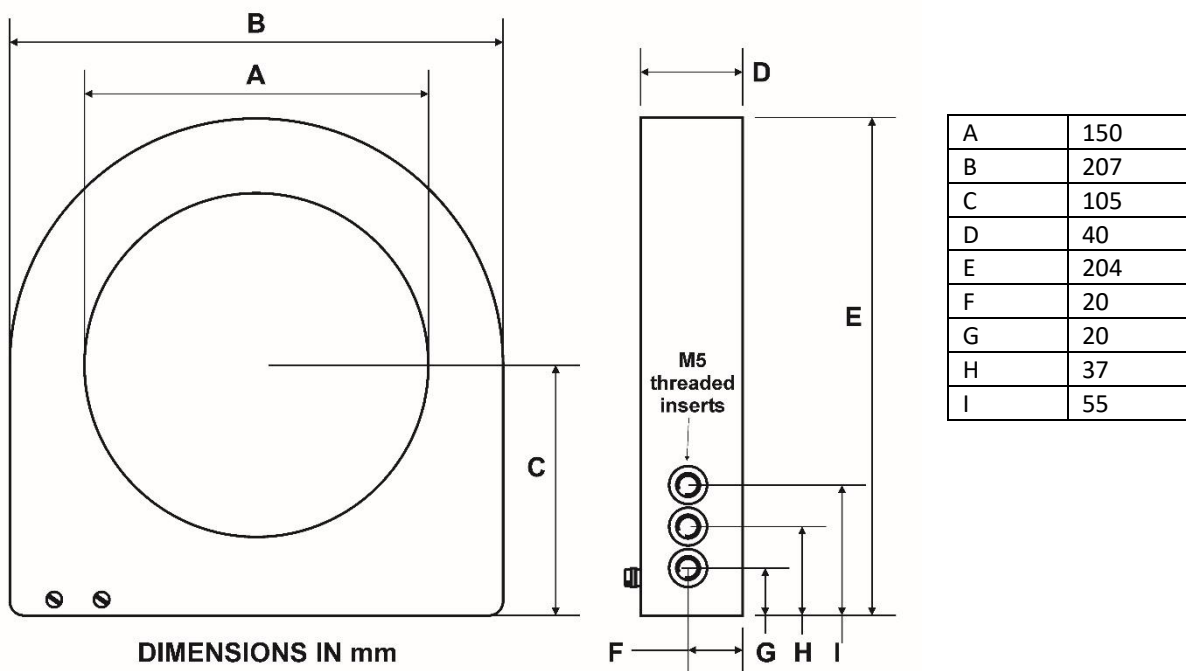
Product Name  
GFS current sensor

To be used with all relevant protection devices produced by GFS  
Including brand labelled products

500:1 ratio

Catalogue Number  
CS5-150

Product Weight  
(without packaging)  
2700 g



Ground Fault Systems B.V.  
Rijtersbleek-Aalten 4 B15  
7521 RB Enschede  
The Netherlands



Phone: +31 53 4318 628  
Email: [sales@groundfaultsystems.com](mailto:sales@groundfaultsystems.com)  
Chamber of Commerce 08091149  
<http://www.groundfaultsystems.com>